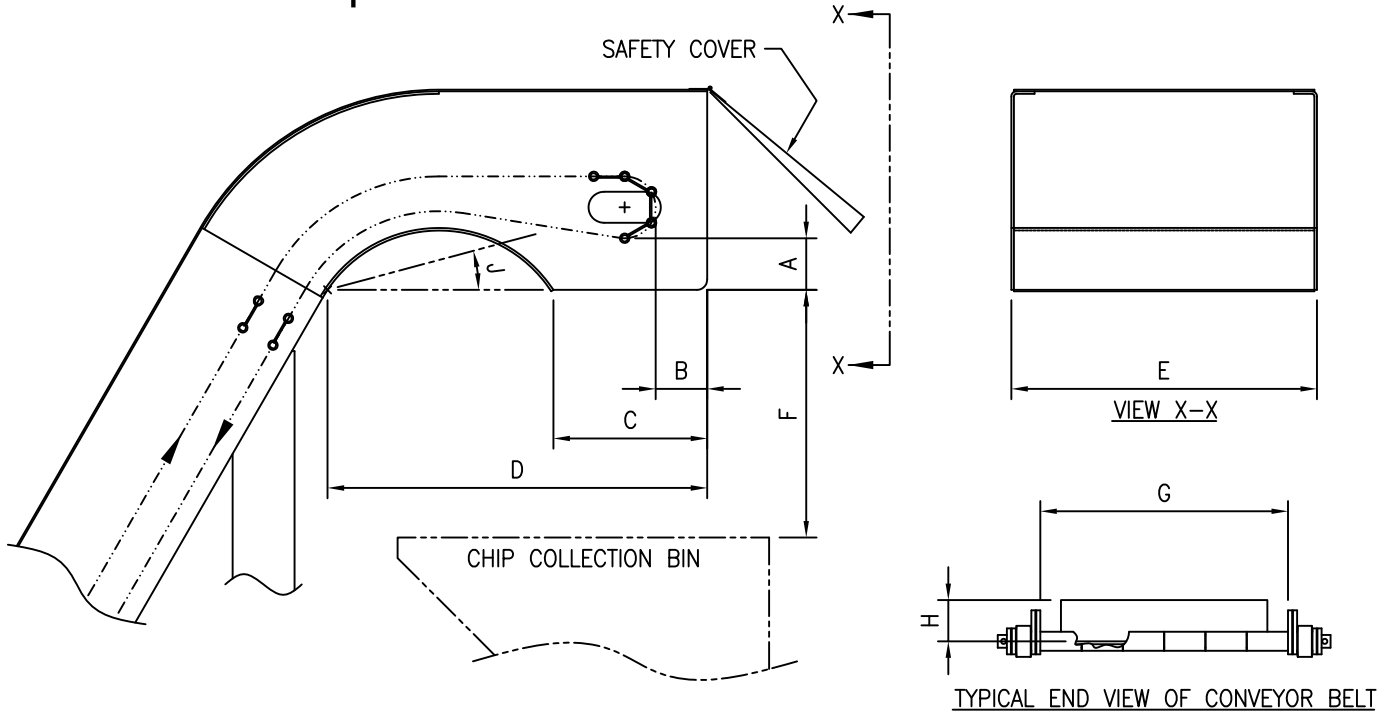


Submit To: Jorgensen Conveyors, Inc.
 10303 N. Baehr Rd.
 Mequon, WI 53092
 Phone: 800-325-7705
 Fax: 262-242-4382

Conveyor Mfg.: _____
*If your conveyor is a Jorgensen product,
 please supply the S/N:* _____
 Machine Mfg.: _____
 Machine Model: _____

Your Company Name: _____
 Address: _____
 City / State / Zip: _____
 Phone: _____
 Fax: _____
 Email: _____
 Contact Name: _____
 Title: _____

ChipBlocker® Critical Dimensions Form



	DESCRIPTION	DIM'S.
A	DISTANCE BETWEEN BELT FLAT & BOTTOM EDGE OF DISCHARGE	
B	DISTANCE BETWEEN BELT FLAT & OUTSIDE EDGE OF DISCHARGE (WITHOUT SAFETY COVER)	
C	HORIZONTAL LENGTH OF DISCHARGE OPEN AREA (WITHOUT SAFETY COVER)	
D	POINT OF CONTACT BETWEEN BOTTOM OF DISCHARGE & UNDERSIDE OF CASING/FRAME	
E	OUTSIDE WIDTH OF CASING/FRAME AT END OF DISCHARGE	
F	DISTANCE BETWEEN BOTTOM OF DISCHARGE & CHIP COLLECTION BIN	
G	WIDTH OF CONVEYOR BELT CARRYING SURFACE (INSIDE CHAIN COMPONENTS)	
H	HEIGHT OF CONVEYOR BELT MATERIAL CARRYING CLEAT	
J	ANGLE OF DISCHARGE (IF APPLICABLE) – THIS DIM. IN SAMPLE VIEW ABOVE IS 0°	

*Please complete the above Critical Dimensions Form by measuring these dimensions on your conveyor so that we may properly size your ChipBlocker® unit for your conveyor and submit a quotation to you. Please also include photographs of the discharge area of your conveyor.

ChipBlocker® Availability for Various Types of Conveyor Configurations			
NOT AVAIL. Type 1	NOT AVAIL. Type 2	AVAILABLE Type 3	AVAILABLE Type 4