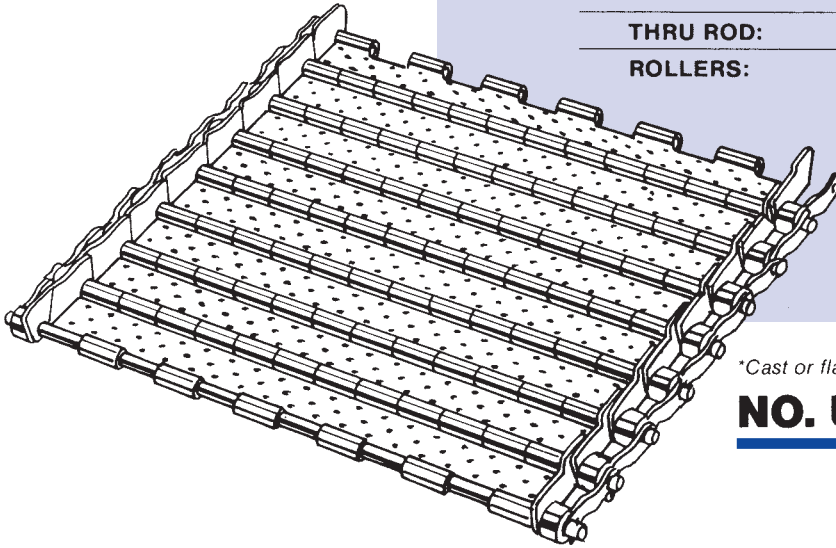


# SPECIFICATIONS AND USES METAL APRON BELT

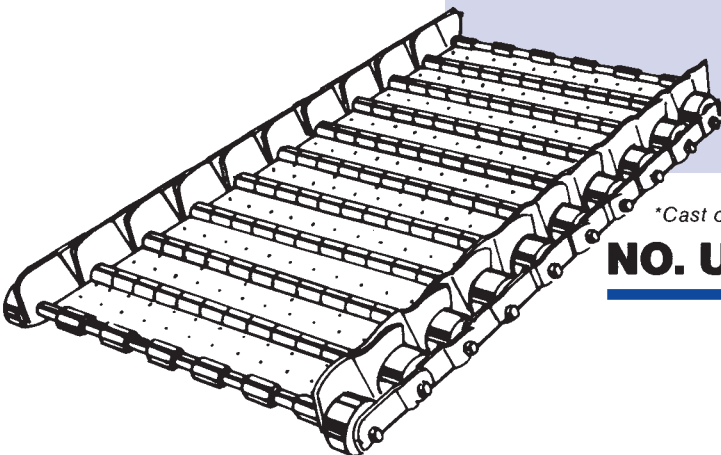
|                                    |   |
|------------------------------------|---|
| <b>PITCH:</b>                      | 1½" — accuracy held to 1.500" plus .001" minus .001".   |
| <b>APRON PLATES:</b>               | Special No. 14 gauge steel with integral formed hinge loop for thru axle formed with precision dies with hinge loops accurately straightened by special sizing equipment. Can be furnished plain, perforated or pimpled.          |
| <b>SIDE WINGS &amp; SIDE BARS:</b> | Exclusive patented J.C.I. feature of special No. 12 gauge Exten 50 steel to form a continuous overlapping side with close tolerances arranged for thru axle to pass thru to form an integral apron giving added strength to belt. |
| <b>THRU ROD:</b>                   | 5/16" diameter — C-1045 C.R. steel.   |
| <b>ROLLERS:</b>                    | ¾" diameter x ¾" face special heat treated metallic rollers.  |



*\*Cast or flame cut sprockets with various number of teeth and bores available*

## **NO. US-150 METAL BELT**

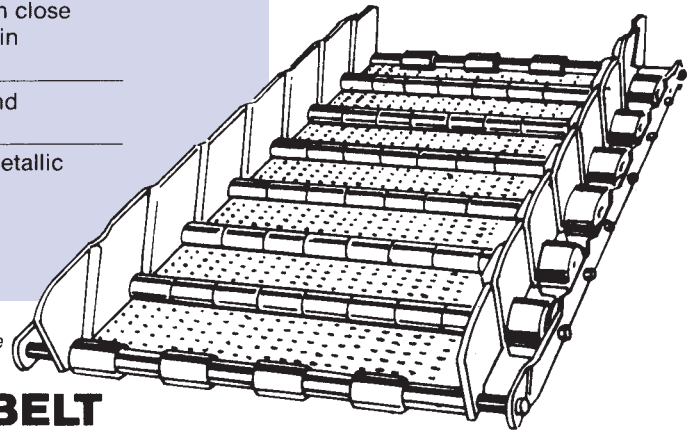
|                                    |  |
|------------------------------------|--|
| <b>PITCH:</b>                      | 2½" — accuracy held to 2.500" plus .003" minus .001".  |
| <b>APRON PLATES:</b>               | Special No. 12 gauge steel with integral formed hinge loop for thru axle formed with precision dies with hinge loops accurately straightened by special sizing equipment. Can be furnished plain, perforated, pimpled, pimpled and perforated. |
| <b>SIDE WINGS &amp; SIDE BARS:</b> | Exclusive patented J.C.I. feature of special No. 10 gauge Exten 50 steel to form a continuous overlapping side with close tolerances arranged for thru axle to pass thru to form an integral apron giving added strength to belt.              |
| <b>THRU ROD:</b>                   | 7/16" diameter — C-1045 C.R. steel.  |
| <b>ROLLERS:</b>                    | 1½" diameter x ¾" face special heat treated metallic rollers.  |



*\*Cast or flame cut sprockets with various number of teeth and bores available*

## **NO. US-241 & US-241-SB METAL BELT**

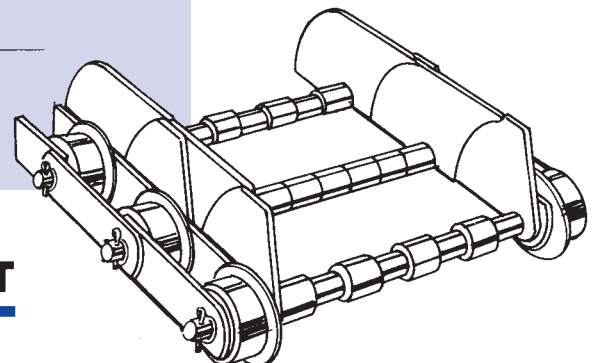
|                       |  |
|-----------------------|--|
| <b>PITCH:</b>         | 4" — accuracy held to 4.000" plus .000" minus .003".   |
| <b>APRON PLATES:</b>  | Special No. 10 gauge steel with integral formed hinge loop for thru spanner tube formed with precision dies with hinge loops accurately straightened by special sizing equipment. Can be furnished plain, perforated or pimpled.         |
| <b>SIDE WINGS</b>     | Exclusive patented J.C.I. feature of special $\frac{3}{16}$ " thick Exten steel to form a continuous overlapping side with close tolerances arranged for thru axle to pass thru to form an integral apron giving added strength to belt. |
| <b>SPANNER TUBES:</b> | Special $\frac{3}{4}$ " O.D. drawn over mandrel with close tolerances to insure strength and maintain flexibility.   |
| <b>THRU ROD:</b>      | $\frac{1}{2}$ " diameter — C-1045 C.R. steel, one end milled for side bar.   |
| <b>ROLLERS:</b>       | $1\frac{1}{4}$ " diameter x $1\frac{1}{16}$ " face heat treated metallic rollers.  |



*\*Cast or flame cut sprockets with various number of teeth and bores available*

## **NO. US-410 & US-410-SB METAL BELT**

|                        |  |
|------------------------|--|
| <b>PITCH:</b>          | 6" — accuracy held to plus or minus .002".   |
| <b>APRON PLATES:</b>   | Special No. 5 gauge steel with integral formed hinge loop for thru spanner tube formed with precision dies with hinge loops accurately straightened by special sizing equipment. Can be furnished plain, perforated or pimpled.                |
| <b>SIDE WINGS:</b>     | Exclusive J.C.I. radial design feature of special $\frac{1}{4}$ " thick Exten steel welded to form a continuous overlapping side with close tolerances arranged for thru axle to pass thru to form an integral apron. Flush surface on inside. |
| <b>SIDE BARS:</b>      | Inside and outside chain $\frac{1}{4}$ " thick Exten steel side bars.  |
| <b>SPANNER TUBES:</b>  | Special $1\frac{5}{16}$ " O.D. with close tolerance to insure strength and maintain flexibility.   |
| <b>THRU ROD:</b>       | $\frac{3}{4}$ " diameter — C-1045 C.R. steel, ends heat treated and milled for side bar to prevent rod from rotating.  |
| <b>CHAIN BUSHINGS:</b> | Heavy wall for accuracy and roundness with ends milled to fit special punched side bar to prevent rotating.  |
| <b>ROLLERS:</b>        | $2\frac{1}{2}$ " diameter x $1\frac{1}{16}$ " tread, heat treated steel or 3" diameter single flange rollers with $1\frac{1}{8}$ " tread, chrome-nickel alloy iron.  |

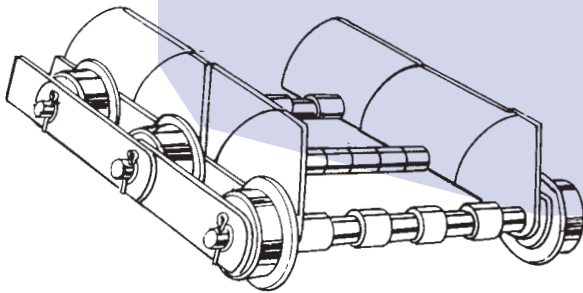


*\*Cast or flame cut sprockets with various number of teeth and bores available*

## **NO. USA-600 & USA-601 METAL BELT**

# METAL APRON BELT SPECIFICATIONS AND USES

|                        |   |
|------------------------|---|
| <b>PITCH:</b>          | 9" accuracy held to plus or minus .002".  |
| <b>APRON PLATES:</b>   | Special No. 5 gauge steel with integral formed hinge loop for thru spanner tube formed with precision dies with hinge loops accurately straightened by special sizing equipment. Can be furnished plain, perforated or pimpled.   |
| <b>SIDE WINGS:</b>     | Exclusive J.C.I. radial design feature of special ¼" thick Exten steel welded to form a continuous overlapping side with close tolerances arranged for thru axle to pass thru to form an integral apron. Flush surface on inside.   |
| <b>SIDE BARS:</b>      | Inside and outside chain ¼" thick Exten steel side bars.  |
| <b>SPANNER TUBES:</b>  | Special 1 <sup>5</sup> / <sub>16</sub> " O.D. with close tolerance to insure strength and maintain flexibility.   |
| <b>THRU ROD:</b>       | ¾" diameter — C-1045 C.R. steel, ends heat treated and milled for side bar to prevent rod from rotating.  |
| <b>CHAIN BUSHINGS:</b> | Heavy wall for accuracy and roundness with ends milled to fit special punched side bar to prevent rotating.   |
| <b>ROLLERS:</b>        | 2½" diameter x 1 <sup>1</sup> / <sub>16</sub> " tread, heat treated steel. 3" diameter single flange, with 1 <sup>1</sup> / <sub>8</sub> " tread, or 4" diameter single flange with 1 <sup>7</sup> / <sub>16</sub> " tread. Chrome-nickel alloy iron. 4" diameter rollers can be furnished with roller bearing hubs and threaded thru rods with locknuts. |



*\*Cast or flame cut sprockets with various number of teeth and bores available*

## NO. USA-900 & USA-901 METAL BELT

**Jorgensen Conveyors, Inc.**<sup>®</sup>

10303 N. Baehr Road, Mequon, Wisconsin 53092-4611

Phone: (800) 325-7705 • Fax: (262) 242-4382

E-mail: [info@jorgensenconveyors.com](mailto:info@jorgensenconveyors.com)

[www.jorgensenconveyors.com](http://www.jorgensenconveyors.com)



Bulletin 82-2 Rev. 02-17