

# Hinged Steel Belt Conveyors

By Jorgensen Conveyors, Inc.



**1.5 and 2.5 Inch Pitch Belting**  
Larger Pitch Conveyor Systems Available



10303 North Baehr Road • Mequon, WI 53092 • Toll-Free: 1.800.325.7705 • [www.jorgensenconveyors.com](http://www.jorgensenconveyors.com)

# Hinged Steel Belt Conveyors

By Jorgensen Conveyors, Inc.

## Applications

Ideal for handling parts, stampings, scrap, chips (bushy and tight or bushy and loose), turnings, wet or dry material, horizontal or elevating, single or multiple unit systems.



## Custom Fabricated

All conveyors are engineered to meet customer specifications. Conveyors can be fabricated with coolant reservoir for machine tool applications where cutting oil and coolant is involved; with tank configuration per requirements.

For complete design flexibility you get a choice of conveyor type with any reasonable length legs and angles, belt design and width, and drive systems with optional safety equipment, accessories and controls for maximum efficiency.

## Features and Benefits

- ▼ Completely detachable belt design for ease of maintenance, pioneered by Jorgensen.
- ▼ Heavy duty steel components are made from a variety of gauges and plate thicknesses for durability.
- ▼ Convertible to drag flight for application flexibility.
- ▼ CE approved designs for safety.
- ▼ Advanced manufacturing capabilities for consistent product quality.

## 1.5 ,2.5, 4, 6 and 9 Inch Pitch Belting Available

### Custom Engineered Conveyors and Belting to Meet a Broad Range of Material Handling Applications.

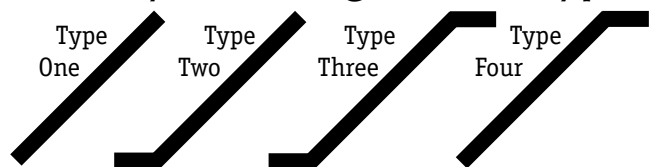
Standard heavy duty conveyor models have been our mainstay. We also offer super heavy duty conveyors with

abrasion resistant materials, thru hardened components and all welded belt construction.



Your present conveyor belt can be replaced with a Jorgensen metal belt – there are sizes, pitches and types to fit all needs. Many styles of apron plates for handling scrap, chips or parts.

### Conveyor Configuration Types



## Belt Parts

### Axles

Heavy-duty high carbon steel forms the base of Jorgensen's exclusive long-wearing, damage-resistant construction.



### Side Links

The rated chain pull of a Jorgensen belt can be doubled when equipped with side links.



## Hinged Steel Belt Conveyors Application Chart for Metal Cutting Machine Tools

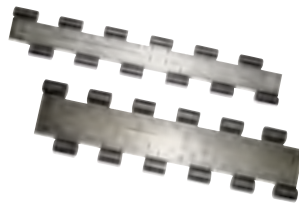
Material Type*	Steel	Cast Iron	Aluminum	Brass
<b>Chip Type</b>				
Bushy & Tight ( <i>Birds Nest</i> )	▼	—	▼	▼
Bushy & Loose	▼	—	▼	▼
Broken Chips ( <i>6's &amp; 9's</i> )	▼	▼	▼	▼
Fine Chips ( <i>Free Flow Granular</i> )	▼	▼	▼	▼
Swarf Sludge	▼	▼	▼	▼

▼ Recommended Application    ▼ Used In Some Applications    ▼ Not Recommended

\* Conveyors for parts, stampings, scrap and other materials, please contact a Jorgensen proposal engineer.

### Belt Apron Plates

Heavy steel plates with integral piano hinges through which axles pass. There are many styles of apron plates to handle scrap, chips or parts.



### Side Wings

Held on by axle passing through them. No welds to replace. Overlapping construction forms flush jam proof inner surface. Weld on side wings available for super heavy duty applications.



### Rollers & Block Links

Hardened steel and cast iron rollers, bushings and block links are used to meet a variety of engineered applications.



### Belt Specifications

Width: 3 inches to 96 inches—as required, (7.62 cm to 243.84 cm).

### Safety Device

Standard safety devices include ratchet clutches, inverter controls and sheer pin hubs. Other safety devices are available.

## Conveyor Drive

Jorgensen engineers conveyor drives for a broad range of material handling applications. From light chip handling to high tonnage part and scrap handling systems, Jorgensen utilizes proprietary computer programs to assure that your conveyor drive is properly sized and protected.

## System Options

- ▼ High pressure coolant system
- ▼ Pumps/plumbing/coolant transfer
- ▼ Downstream filtration
- ▼ Tramp oil skimmers
- ▼ Coolant chillers/heat exchangers
- ▼ Complete electrics/controls
- ▼ Air knife

The following table shows the details of the standard drives:

Belt pitch inches	Horsepower	Standard belt speed		Belt speed range [optional]	
		fpm*	(mpm)**	fpm*	(mpm)**
2.5	1/2	7	(2.1)	6 - 18	(1.8 - 5.5)
2.5	1/4	7	(2.1)	6 - 18	(1.8 - 5.5)
2.5	1/8	7	(2.1)	6 - 18	(1.8 - 5.5)
1.5	1/4	7	(2.1)	4 - 11	(1.2 - 3.4)
1.5	1/8	7	(2.1)	5 - 11	(1.5 - 3.4)

Belt speeds above and below these ranges, and larger drives, are available as a special order.

\*Feet per minute \*\*Meters per minute

For drive specifications on large pitch conveyors contact a Jorgensen proposal engineer.

## Conveyor Frame

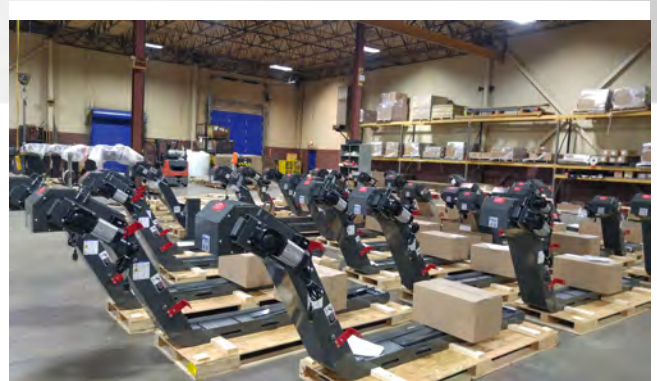
Formed heavy gauge steel, stationary or portable.

## Drive Bearings

Grease sealed, self aligning ball bearings.

## High Manufacturing Standards

*ISO 9001:2008 Certified - the international standard of excellence certifying our commitment to a controlled design and manufacturing process.*



## Reputation for Quality and Value

*The "3C's" of Jorgensen Conveyors - are the guiding principles which communicate our priority objectives. We believe that compliance with procedures will foster an environment that is constantly improving and driving customer satisfaction.*

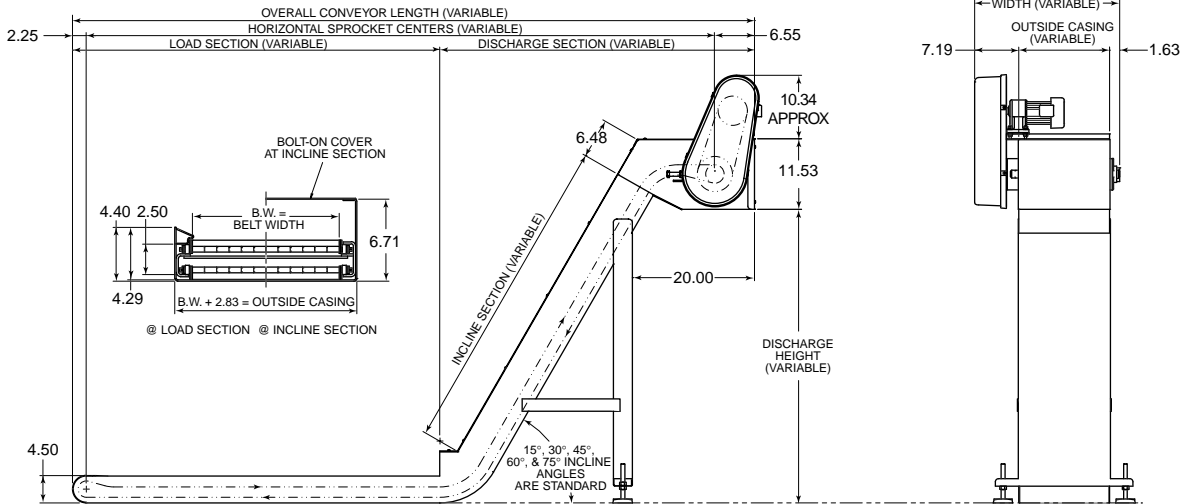
- *Compliance to a quality system*
- *Continuous improvement*
- *Customer satisfaction*

# Hinged Steel Belt Conveyors

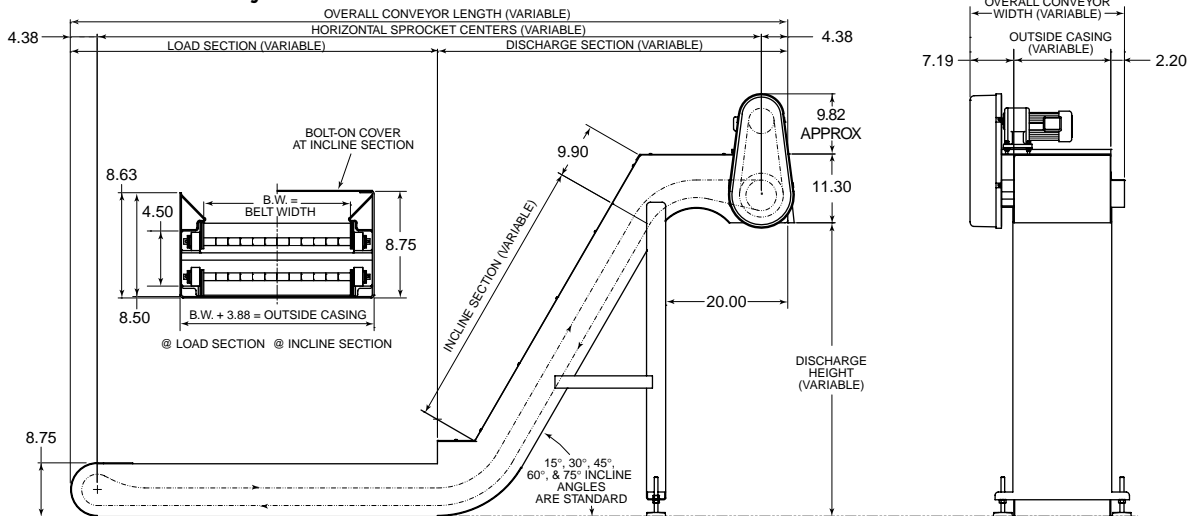
By Jorgensen Conveyors, Inc.

## Engineering Specifications

### 1.5 Inch Pitch Steel Belt Conveyor



### 2.5 Inch Pitch Steel Belt Conveyor



## High Manufacturing Standards

By implementing lean techniques Jorgensen has improved cycle times, reduced manufacturing time, minimized waste and improved on-time delivery.

## Reputation for Quality and Value

Recognized industry leader in chip removal and coolant filtration systems design and manufacturing for over 67 years.



**Main Office and Manufacturing**  
 10303 North Baehr Road • Mequon, WI 53092 • Toll-Free: 1.800.325.7705  
**Manufacturing Affiliates**  
 Website: [www.jorgensenconveyors.com](http://www.jorgensenconveyors.com)  
 E-mail: [info@jorgensenconveyors.com](mailto:info@jorgensenconveyors.com)

