

# Roll Media Filters

By Jorgensen Conveyors, Inc.



**Vacuum and Gravity  
Roll Media Filters**

# Roll Media Filters

By Jorgensen Conveyors, Inc.

## Applications

Gravity and vacuum roll media filters efficiently remove fine chips and grinding sludge. They are very effective in applications requiring coolant clarity to 10 microns. Jorgensen Roll Media Filters can be used in a wide range of metalworking and other applications.

## Custom Fabricated

Roll media filters are engineered to meet customer specifications and are fabricated with a coolant reservoir per your requirements.

## Coolant Flow Rate - Gravity\*

Model	Requirements for Machine	
	Gallons Per Minute	Litres Per Minute
GRMC - 300	0 — 30 gpm	0 — 114 lpm
GRMC - 600	31 — 60 gpm	117 — 227 lpm
GRMC - 900	61 — 90 gpm	231 — 340 lpm

\* Other flow rates available upon request.

## Coolant Flow Rate - Vacuum\*

Model	Requirements for Machine	
	Gallons Per Minute	Litres Per Minute
VRM - 600	0 — 60 gpm	0 — 227 lpm
VRM - 1200	61 — 120 gpm	231 — 454 lpm
VRM - 2400	121 — 240 gpm	458 — 908 lpm
VRM - 10000	241 — 1000 gpm	912 — 3785 lpm

\* Flow rates to 5,000 gpm (19,000 lpm) available.

## Features and Benefits

- ▼ Fine filtration to 10 microns.
- ▼ Provides positive filtration in very difficult applications.
- ▼ Effective removal of fine chips, grinding sludge and swarf.
- ▼ Use of deep filter cakes for more efficient filtration.
- ▼ Heavy gauge steel construction.
- ▼ Stainless steel designs available.
- ▼ Positive seal design to eliminate fines migration.
- ▼ Wide range of filter media to meet all applications.
- ▼ Vacuum systems allow for smaller footprints in higher flow rate applications.
- ▼ Can be used for primary or secondary filtration.
- ▼ Flow rates of 5-5000 gallons per minute (to 19,000 litres per minute) stand alone or central system.
- ▼ Effective pre-clean system for high pressure coolant.

## Roll Media Filters

### System Options

- ▼ High pressure coolant system
- ▼ Pumps/plumbing/coolant transfer
- ▼ Downstream filtration
- ▼ Tramp oil skimmers
- ▼ Coolant chillers/heat exchangers
- ▼ Complete electrics/controls
- ▼ Air knife
- ▼ Low media alarm
- ▼ Media rewinder

### Roll Media Application Chart - Gravity and Vacuum

Material Type*	Steel	Cast Iron	Aluminum	Brass
Chip Type				
Broken Chips <i>(6's &amp; 9's)</i>	▼	▼	▼	▼
Fine Chips <i>(Free flow granular)</i>	▼	▼	▼	▼
Swarf Sludge	▼	▼	▼	▼

▼ Recommended Application    ▼ Used In Some Applications

\* For other materials please contact a Jorgensen proposal engineer.

### What Customers are Saying

*" Jorgensen is easy to work with. We have an excellent working relationship. They are very willing to send out service people and engineers. Their attitude is "let's get it fixed!" Their flexibility and size gives us the personal benefit of working one on one with engineers or sales managers to get the job done. Jorgensen's conveyor consignment program is outstanding and helps Cincinnati Machine tremendously. It's a true example of an ongoing partnership between an OEM and a vendor."*

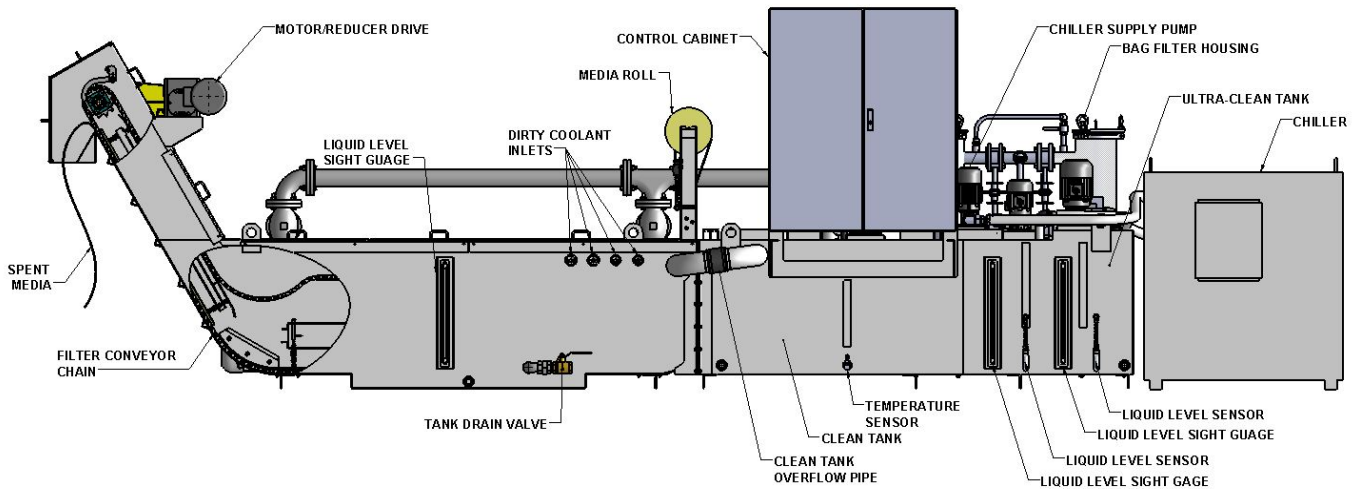
### On Engineering

***Customer focus/custom design - Jorgensen is committed to working closely with each customer in the development of conveyor/filtration systems that meet specific application requirements.***

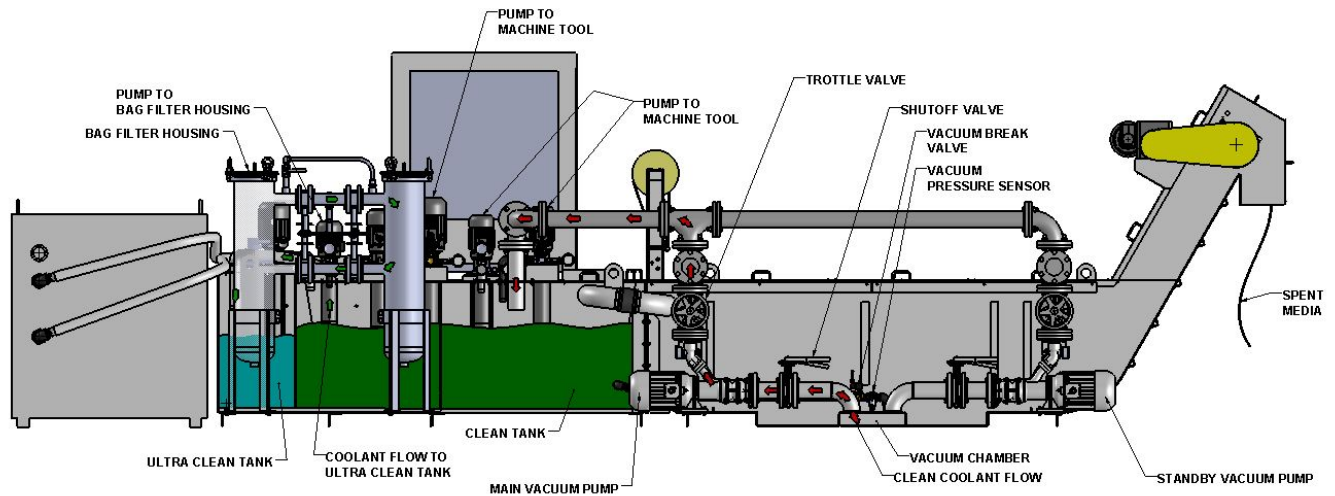
# Roll Media Filters

By Jorgensen Conveyors, Inc.

## VACUUM MEDIA FILTER - HOW IT WORKS



## VACUUM MEDIA FILTER - HOW IT WORKS



**Main Office and Manufacturing**  
 10303 North Baehr Road • Mequon, WI 53092 • Toll-Free: 1.800.325.7705  
**Manufacturing Affiliates**

Website: [www.jorgensenconveyors.com](http://www.jorgensenconveyors.com)  
 E-mail: [info@jorgensenconveyors.com](mailto:info@jorgensenconveyors.com)

