



Procedure for Setting Up Jorgensen Conveyors, Inc. Folding Conveyor

WARNING: Parts of this unit are under spring tension as shipped. It is imperative that the procedure, as outlined below, is followed in EXACT sequence. Failure to do so could result in injury. Do not connect power to this unit until it is completely unfolded and ready for installation.

Read all instructions before setting up this conveyor.

Instructions

1. Conveyor will be folded on a skid when shipped with a parts package attached to it.

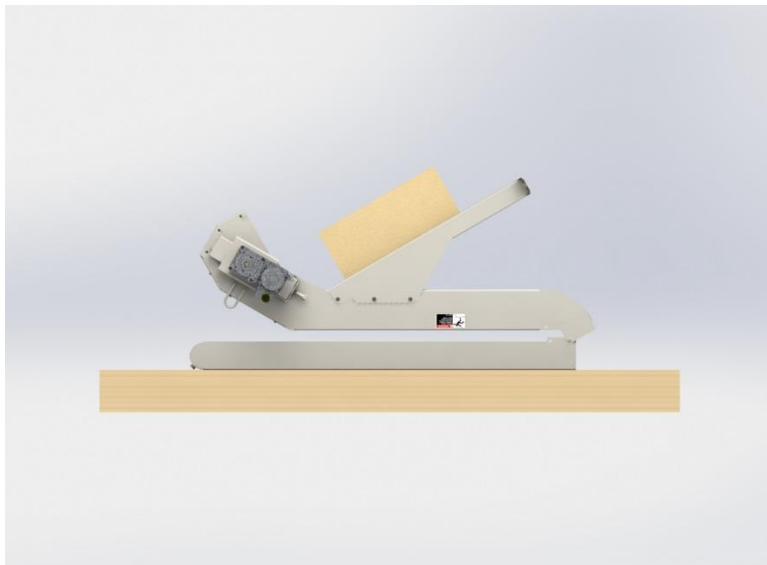


Figure 1.1 – Folded Conveyor on Skid with Parts Package Attached

2. Cut bandings that are holding down the incline section only – do not cut the bands that are holding the load in place as they will aid in the unfolding process. Remove parts package from conveyor (if applicable).

3. Remove the socket head cap screws on the load section by the lower curve (One on each side of load section).

Tools Needed

- 5/32" Hex Key/Allen Wrench

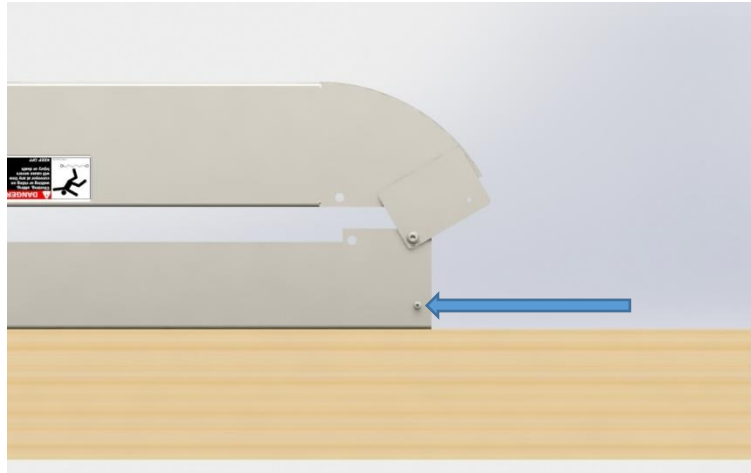


Figure 1.2 – Screw to be Removed (Both Sides)

4. The conveyor is now ready to be unfolded. With 2 people, grab both sides of the head section by the lifting eyes and slowly begin to raise the incline section up. Avoid holding onto the motor, motor bracket, or along the bracket guide path, as these components will move during the unfolding process. Constant contact should be made during this procedure until the conveyor is completely unfolded so that no damage or injury occurs.

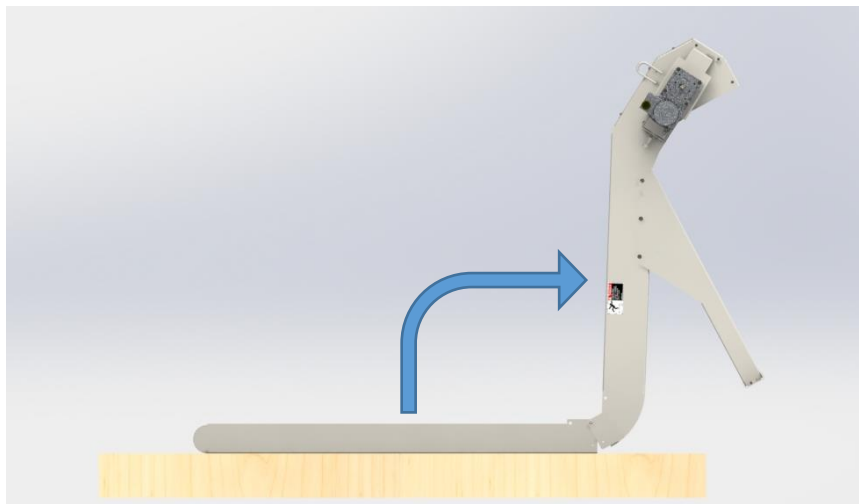


Figure 1.3 – Unfolding Conveyor

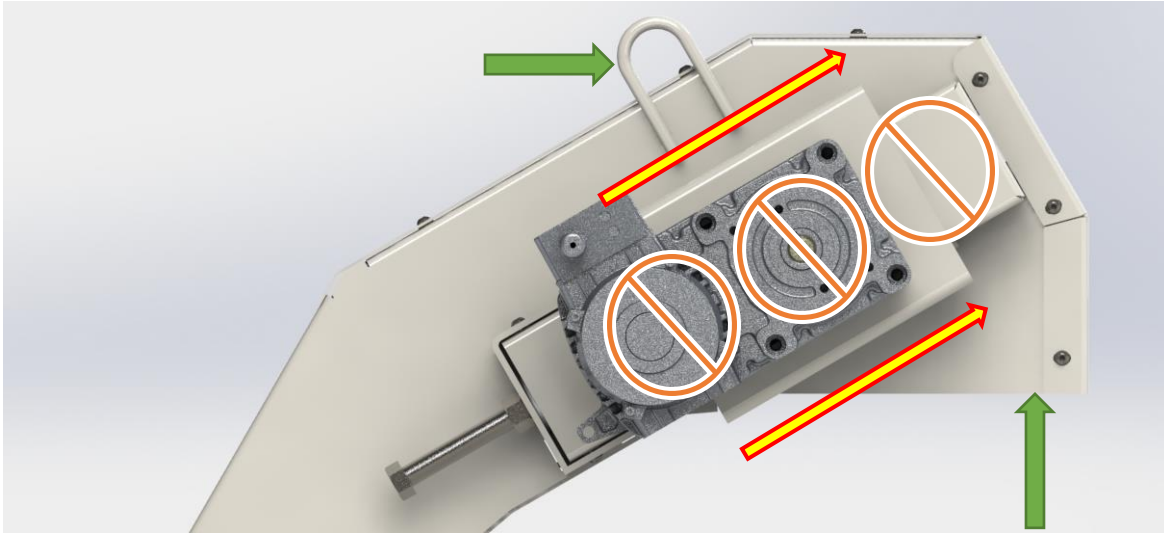


Figure 1.4 – Motor Bracket Sliding Direction During Unfold

Green Arrows – Recommended Hand Placement

Hazard Symbols = Avoid Hand Placement Along The Bracket Guide Path

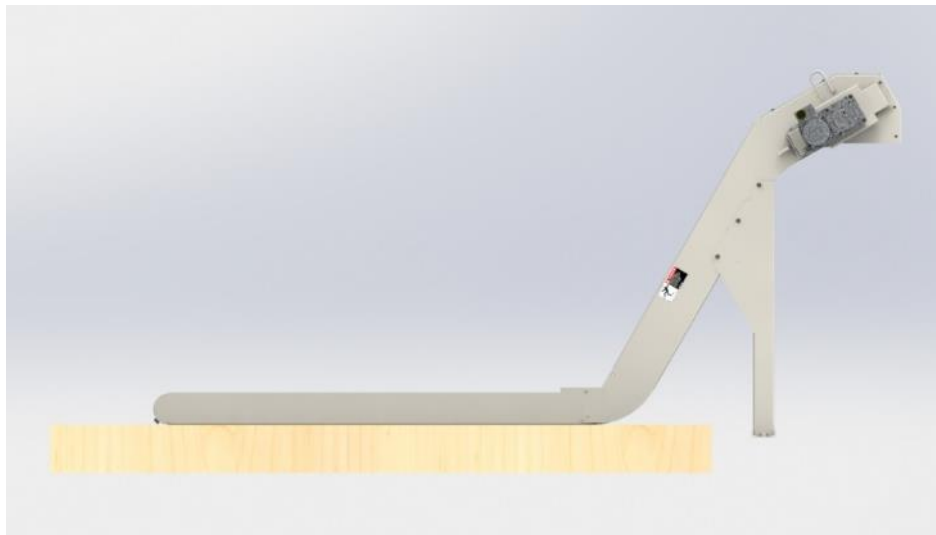


Figure 1.5 – Conveyor Deployed

5. Reinstall the button head cap screws at the load section from Step 3 to connect the incline section to the load (Both sides). Then, remove the lower curve suppressor assembly from the parts box and bolt it into place with the supplied hardware (4 bolts and lock washers).

Tools Needed

- 5/32" Hex Key/Allen Wrench
- 9/16" Socket and Wrench



Figure 1.6 – Lower Curve Suppressor & Fasteners Installed

6. Tighten both take up bolts evenly so that the bottom return run of belting at the head section has a deflection range of 1/4" - 3/8". Deflection can be tested by simply pressing the bottom run of belting inwards towards the top run of belting. Verify that both take up bolts are adjusted evenly by taking a measurement from the outside face of the take up frame to the inside face of the bolt head on both sides of head section. After verification, use jam nut on the take up screw to lock the take up into place.

NOTICE: The springs inside the take-up frame are for assisting the unfolding process only and do not aid in tensioning the belt. Additional steps are required for belt tension in order for the conveyor to run properly. Failure to properly tension the belt as described in the following steps may result in damage to the conveyor and belt.

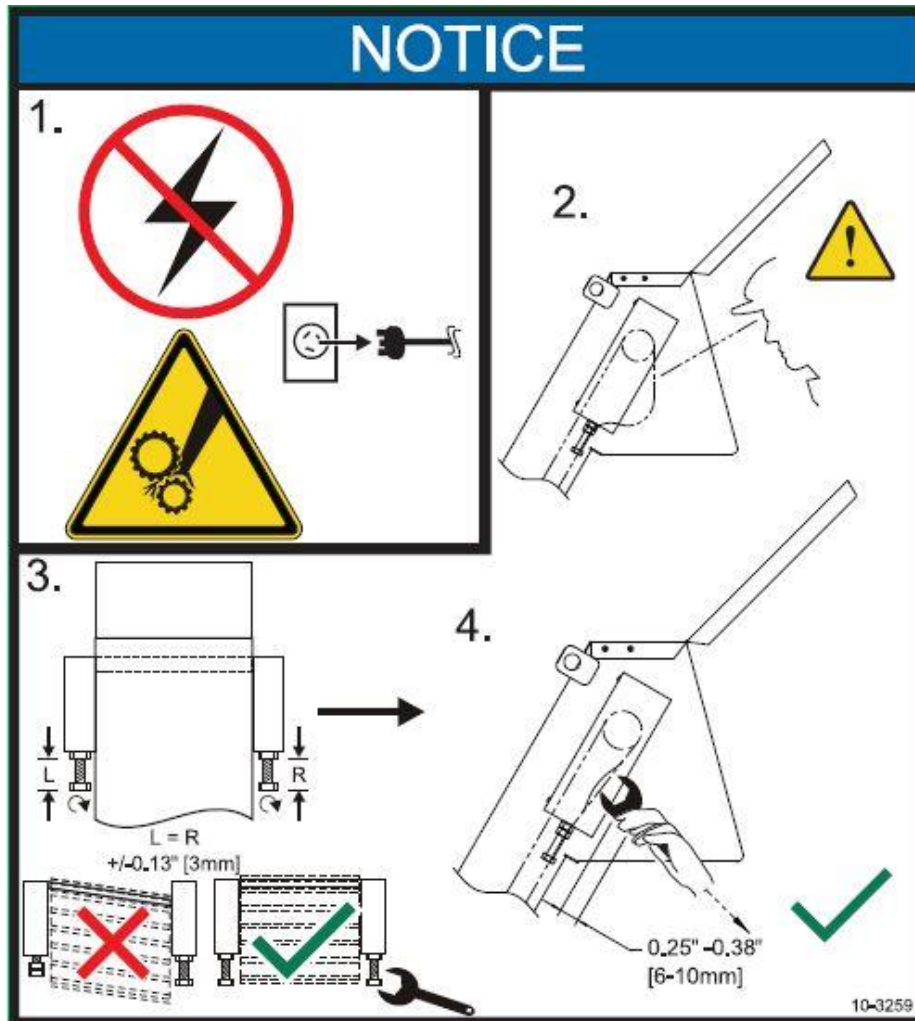


Figure 1.7 – Proper Belt Tensioning Guidelines

Tools Needed

- 15/16" Socket and Wrench (or Drill)
- Tape Measure

WARNING: Verify power is not connected to motor before performing this step, as operator will be working close to conveyor head section and exposed belting.

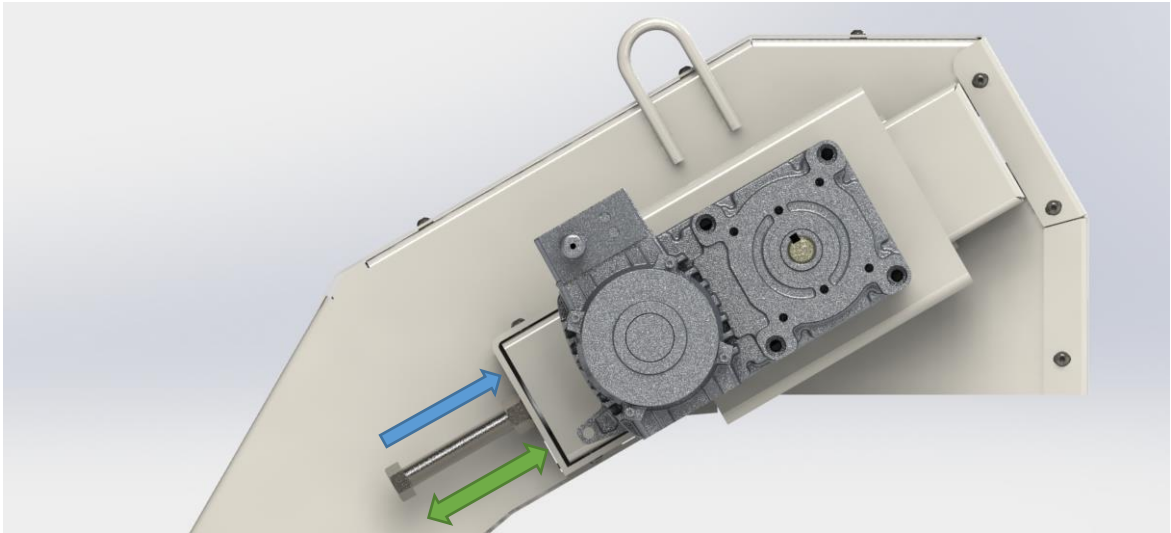


Figure 1.8 – Take-up Adjustment

Blue Arrow = Take-up Direction

Green Arrow = Even Take-up Measurement on Both Sides

7. Conveyor is now ready to install. Remove the Conveyor from the skid, install the remaining parts from the parts package, and install into the machine.
8. If folding the conveyor is required after it has been completely unfolded, simply follow these steps in reverse order. The take-up bolts should be backed out all the way until the end of the bolt is inside the welded hex nut and no longer protruding inside the take up frame area.

Anticipated Folding Conveyor Set-Up Time

Jorgensen Conveyors, Inc. estimates that it will take approximately 30 minutes to set-up the conveyor depicted in the document of the step-by-step process. It is recommended that two people unfold the conveyor. One person can complete the remaining steps of the procedure.

Jorgensen Conveyors, Inc.
10303 N Baehr Rd
Mequon, WI 53092
Phone: (262) 242-3089
(800) 325-7705
Fax: (262) 242-4382
info@jorgensenconveyors.com