

Quotation RFQ for: METAL CUTTING MACHINE TOOL CHIP APPLICATIONS.

Date: _____ JCI Lead # _____ JCI Quote # _____

Customer Company Name: _____

Address: _____ City: _____ State: _____ Zip: _____

Contact Name: _____ Contact Title: _____

Office Phone: _____ Ext: _____ Mobile: _____

Fax: _____ Email: _____

Customer Type: End User Machine Tool Dealer Machine Tool Builder Industrial Distributor/Reseller

Source of RFQ Data: JCI JCI Rep Customer

Information obtained by Web Phone In-Plant Other _____

JCI Rep Involved in Project Rep Name: _____ JCI Rep # _____

If the customer being quoted is either a machine tool dealer, machine tool builder, or an industrial distributor/re-seller please provide the end user customer information if available.

End User Company Name: _____

Address: _____ City: _____ State: _____ Zip: _____

Contact Name: _____ Mobile: _____

Office Phone: _____ Email: _____

This application is for parts being made in which of the following industries?

Automotive Aerospace Oil/Gas/Energy Medical Device Construction Equipment

Other _____

Are we required to follow any defined customer mechanical or electrical specifications?

Yes No If Yes, Please provide the most recent revision of the customer specification.

Are there industry standards to be followed Yes No If Yes, Which ones?

UL CE ANSI CSA Other _____

Is an existing conveyor being replaced? Yes No

If yes, is the existing brand Jorgensen Yes No Jorgensen S/N _____

If another brand please specify _____

What is the machine tool brand name for which you need the conveyor? _____

What is the machine tool model designation? _____

What is the machine tool serial number? _____

Machine tool asset designation? _____

What competitors are quoting? _____

Likelihood of Jorgensen getting the order? _____

Approved Project? Yes No Project Budget & Amount Approved _____

Decision will be made in 00-30 Days 30-60 Days 60-120 Days Over 120 Days

Innovation That **Moves** You

If this is to replace an existing conveyor why are you replacing it

Can't Handle Coolant Flow Can't Handle Chip Volume Material Being Cut Changed
 Tracking Worn Conveyor Jamming Conveyor Leaking Requires Filtration System Worn Out

What type of machining process is this for

Milling Turning Drilling Grinding Broaching Sawing
 Other _____

Types of material(s) being machined

Mild Steel (1050 RC or below) High Carbon Steel Tool Steel Cast Iron Stainless Steel
 Aluminum Brass Plastic Copper Titanium Nickel Composite
 Other (Please describe) _____

Material Configuration (please provide representative samples of the chips and/or pictures)

Fine Chips Small/Broken Chips/Curls Tight Bushy Chips/Stringers Loose Bushy Chips/Stringers

Material Volume

*Cubic feet per hour _____ *Cubic feet per shift _____ How many hours in a shift _____
 *if the answer to these questions is not known, please try to answer the two questions below on material volume

Size of scrap bin taking chips from conveyor _____ cubic feet

How often does the scrap bin fill? Every _____ Hours

Conveyor Loading Continuous Batch (conveyor not running while material accumulates; then turned on)
 Coolant and chips Dry machining Chips with residual coolant

Coolant Type

Water with rust inhibitor Water soluble Semi synthetic Synthetic Oil
 *If possible, include MSDS sheet and/or Brand and Type _____

Coolant Pumps

Transfer Pump Yes No if yes GPM _____ PSI _____ Who is supplying pump JCI Other
 if yes, is the variable speed of the pump desired based on coolant level in tank? Yes No

Machine Supply pumps:	Max coolant flow for system? _____		Gallons		Liters		
Pump Function	GPM/LPM	PSI/BAR	Is GPM/LPM variable		is PSI/Bar variable		Coolant Clarity (microns)
			Yes	No	Yes	No	
_____	_____	_____	Yes	No	Yes	No	_____
_____	_____	_____	Yes	No	Yes	No	_____
_____	_____	_____	Yes	No	Yes	No	_____
_____	_____	_____	Yes	No	Yes	No	_____
_____	_____	_____	Yes	No	Yes	No	_____
_____	_____	_____	Yes	No	Yes	No	_____
_____	_____	_____	Yes	No	Yes	No	_____
_____	_____	_____	Yes	No	Yes	No	_____
_____	_____	_____	Yes	No	Yes	No	_____

**Pump functions choices include: Thru Spindle, Thru Spindle High Pressure, Wash Down, Trash Transfer, External Spindle, Shower and Flood



Innovation That **Moves** You

Electrical Requirements

Motor/Control to be wired for 200/60Hz 3Ph 208/60Hz 3Ph 230/60Hz 3Ph 460/60Hz 3Ph
 Other Voltage _____ Frequency _____ Phase _____

Control Required Yes No If Yes, what type UVS Ecologic Drum Switch E-Stop Other

Control - Other All components wired to a J Box with terminal strip
 All components wired to a J Box, including motor starters, overloads, disconnects, operator elements and pilot lights (control logic by others)
 Full control including logic and standard machine interface
 Other, please describe _____

Power cable required from control to machine? Yes No If yes, what length _____ inches

Plug required on cable Yes No If yes, what type _____

Are we required to follow any electrical standards? Yes No
 If yes, Which ones NEMA CE CSA Other _____

Electrical Components and Functionality

Tank Level Sensors	Operator Panel	Control Interface
Analog	HMI Display	System On/Off
Digital	Status pilot lights	E-Stop
Float with proximity switch	Stack light	Pre-warning
Float with proximity switch and flag	E-Stop	Alarm
		Supply pump on/off

Are we replacing an existing conveyor system Yes No If yes: _____ motor HP _____ Motor FLA

Is the existing conveyor motor shaft mounted? Yes No If yes, describe overload protection:
 VFD (Variable Frequency Drive) Current Sensor Shear Pin

Options

Bag Filter(s): Single Duplex If duplex, auto change over Yes No

Final "policing" filter Single Duplex

Oil Skimmer Belt type Disk Type

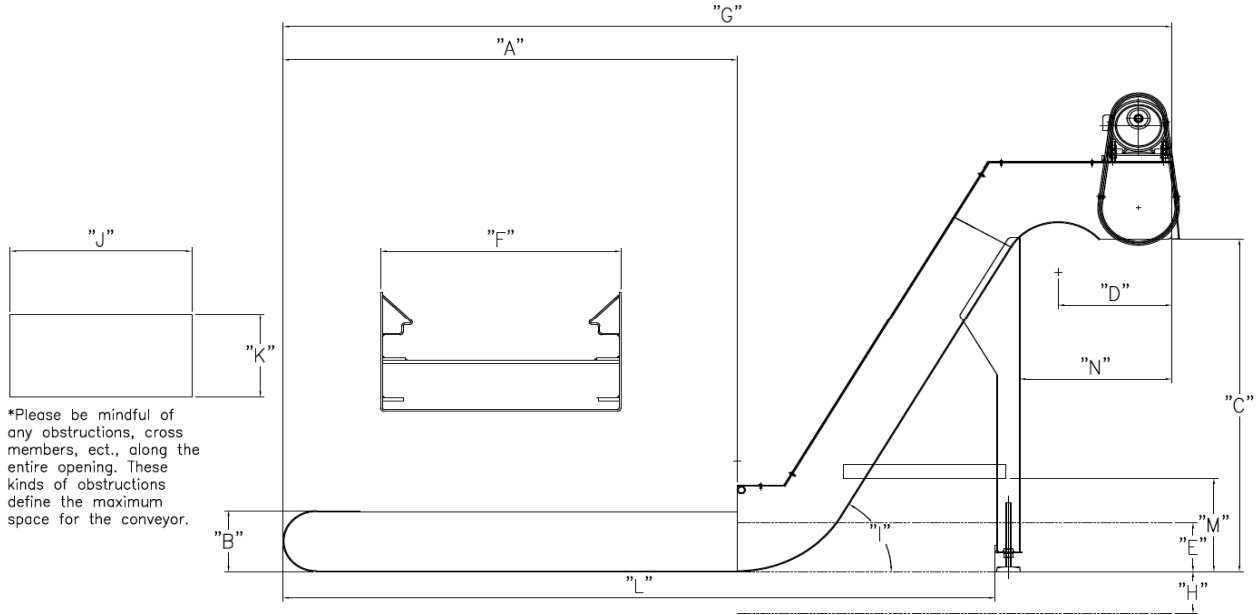
Chiller system for coolant Yes No If yes:
 Customer's plant ambient temperature range _____ to _____ °F °C
 Temperature to be maintained by chiller _____ °F °C
 Machine tool's spindle horsepower is needed: _____ horsepower

Paint Color/Paint Specification

Primer only What color primer? _____
 If finished coat is desired, please provide detailed specifications _____
 If you have a paint RAL# please provide* _____
 *provide a sample paint chip if possible



Critical Dimensions (please feel free to submit any photos, sketches or drawings that may be helpful)



*Please be mindful of any obstructions, cross members, ect., along the entire opening. These kinds of obstructions define the maximum space for the conveyor.

Conveyor is Floor Mounted Machine Mounted Tank Mounted Pit Mounted

Conveyor Dimensions	Inches	Feet	mm
A. Load Section		F. Conveyor Width	
B. Casing Height		G. Overall Length	
C. Discharge Height		H. Height Above Floor	
D. Discharge Length		I. Incline Angle	
E. Pit Depth		J. Machine Opening Width	

Does conveyor lower curve sit inside/outside of coolant tank. Inside Outside

Is coolant tank to be supplied Yes No _____

If yes, please supply dimensions. _____

Conveyor drainage: Does the conveyor require a drain coupling or coolant holes/slots?

Yes No If yes, please explain _____

Conveyor options to be quoted EcoFilter Drum Filtration Paper Media Filtration
 Mag-Drag Magnetic MunchMan Hinged Steel Belt Drag Flight

Notes: